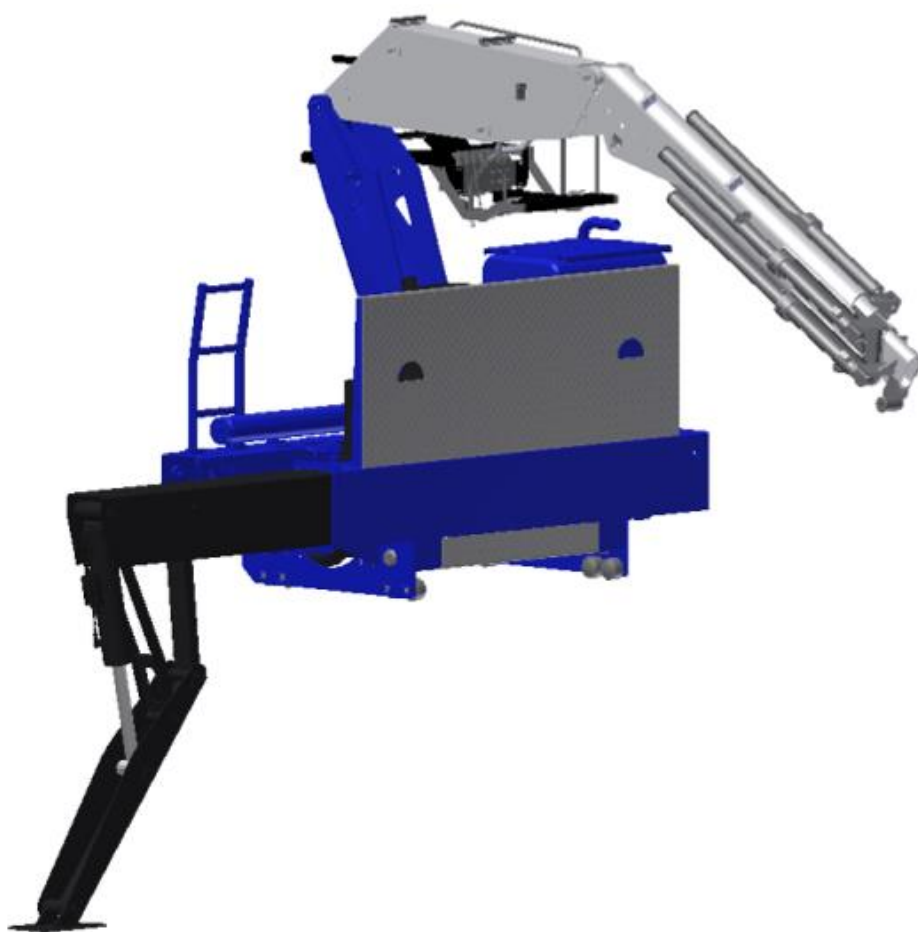


# KENNIS 16-R

TECHNISCHE SPECIFICATIE / TECHNICAL SPECIFICATIONS



 **KENNIS**  
CRANES BY HYVA

# Kennis 16-R

## Technische Specificatie / Technical Specifications

Technische data, Technical data,

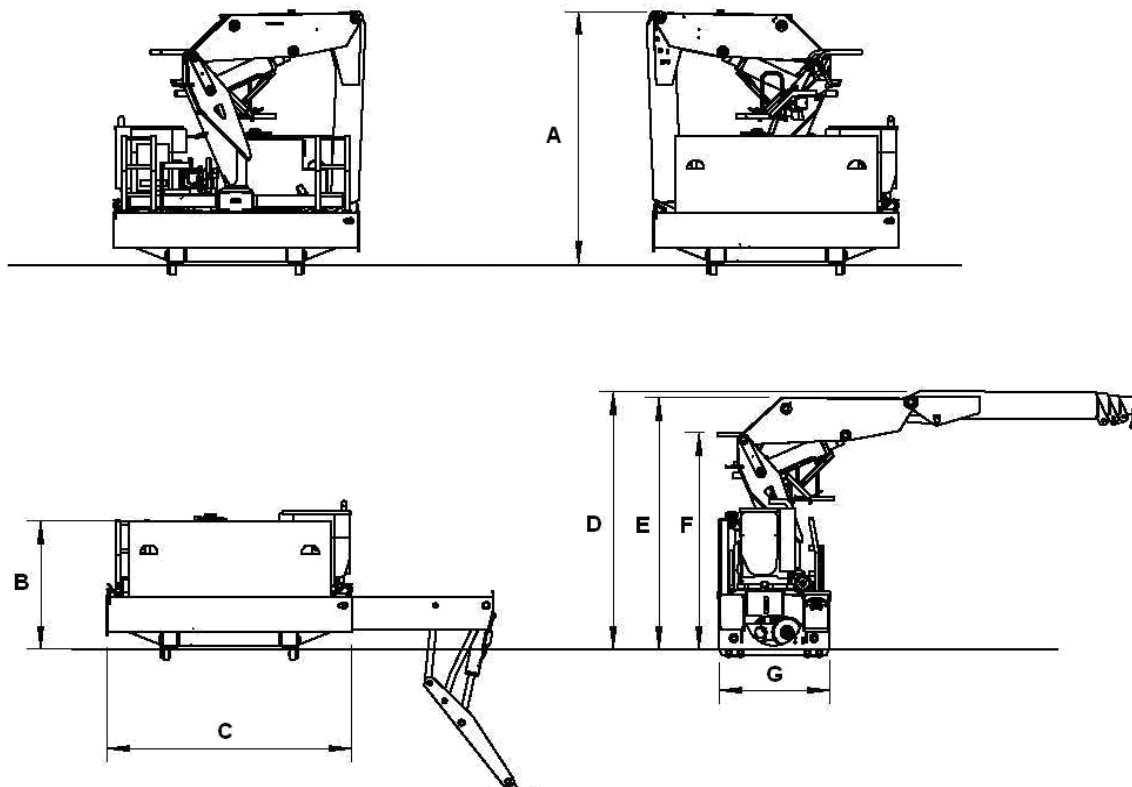
		16-R/60-2	16-R/71-3	16-R/84-4
Maximaal dynamisch moment, Max dynamic moment	daNm	20700		
Maximale steunpoot belasting, Max force on stabilizer leg	daNm	7650		
Max standaard steunpoot druk op de grond Max standard stabilizer pressure on the ground	daN/cm <sup>2</sup>	9		
Hydraulisch bereik, Hydraulic reach,	m	6.00	7.10	8.40
Opvouwbaar, Foldable,	Y/N	Y	Y	Y
Zwenkmoment, Slewing moment,	daNm	2245		
Zwenkbereik, Slewing angle,	°	400		
Rijsnelheid, Driving speed,	m/s	0.5		
Gewicht standaard kraan, Weight basic crane, (± 5%)	kg	2900	3000	3100
Werkdruk, Working pressure,	bar	270		
Max. pomppopbrengst, Max. Oil capacity,	l/min	Continu variabel		
Benodigdvermogen, Required power,	kW	22		
Olietankinhoud, Oiltankcapacity,	l	100		
Dieseltank inhoud, Dieseltank capacity,	l	32		
Spoorbreedte, Track,	mm	1300 - 2250		
Flensdikte, Flangethickness,	mm	20		
Normen, Design standard		DIN 15018 H1-B3 EN12999		

<b>Steunpoten, stabilizer,</b>	Maximale afstempelbasis, Max. stabilizer spread (mm)	Extra gewicht, Additional Weight, (± 5%) (kg)
Volautomatische steunpoten, Full automatic stabilizers,	5400	600

# Kennis 16-R

## Technische Specificatie / Technical Specifications

Afmetingen, Dimensions,



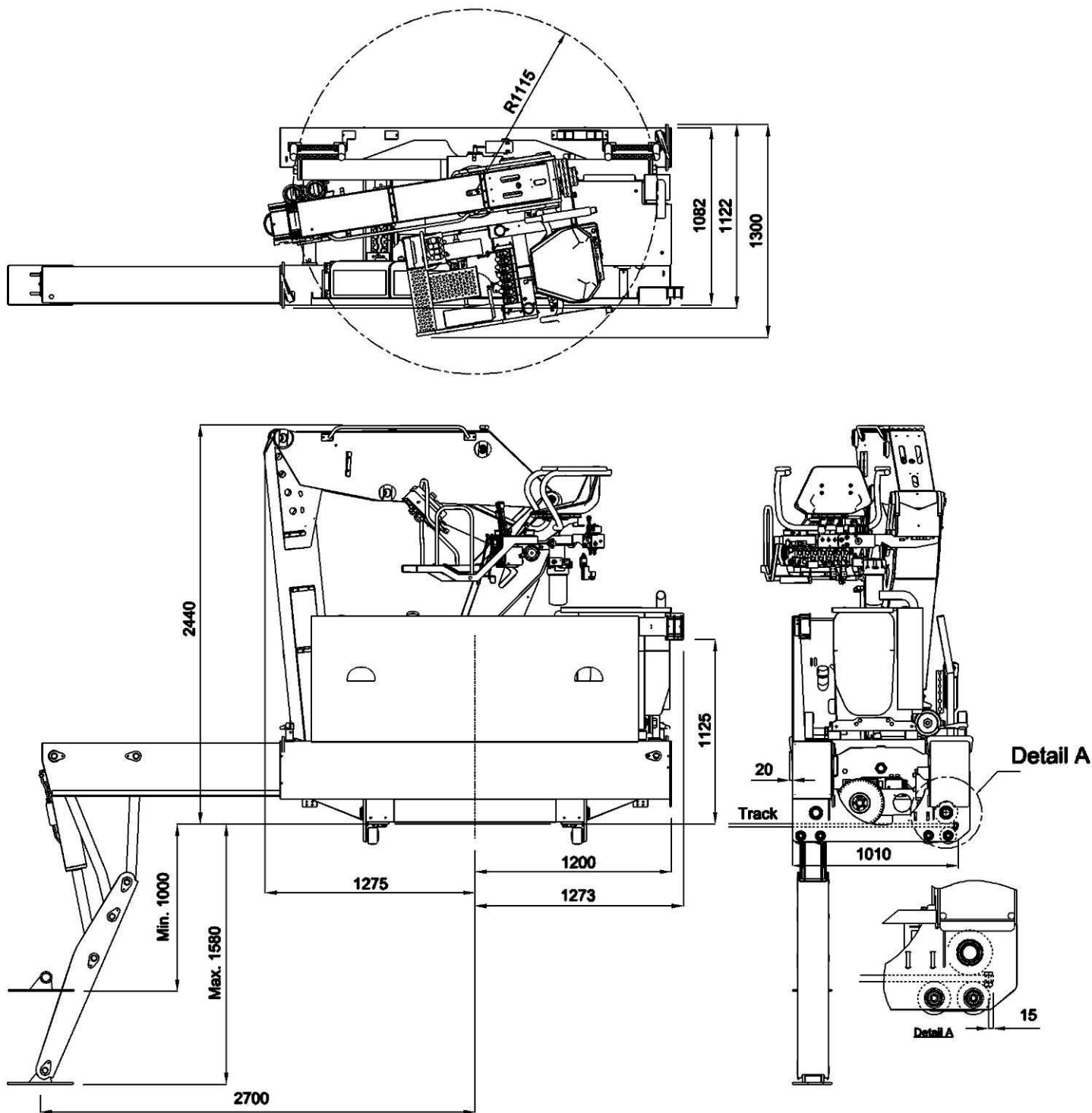
	16-R/60-2	16-R/71-3	16-R/84-4
A (mm)	2440	2530	2570
B (mm)	1275	1275	1275
C (mm)	2400	2400	2400
D (mm)	2580	2580	2580
E (mm)	2515	2515	2515
F (mm)	2180	2180	2180
G (mm)	1082	1082	1082
G* (mm)	1010	1010	1010
Trailerheight (mm)	1430		

\*) Kraan achterop tegen stopbout geplaatst  
Crane parked at the back of the trailer against the stop bolt

# Kennis 16-R

## Technische Specificatie / Technical Specifications

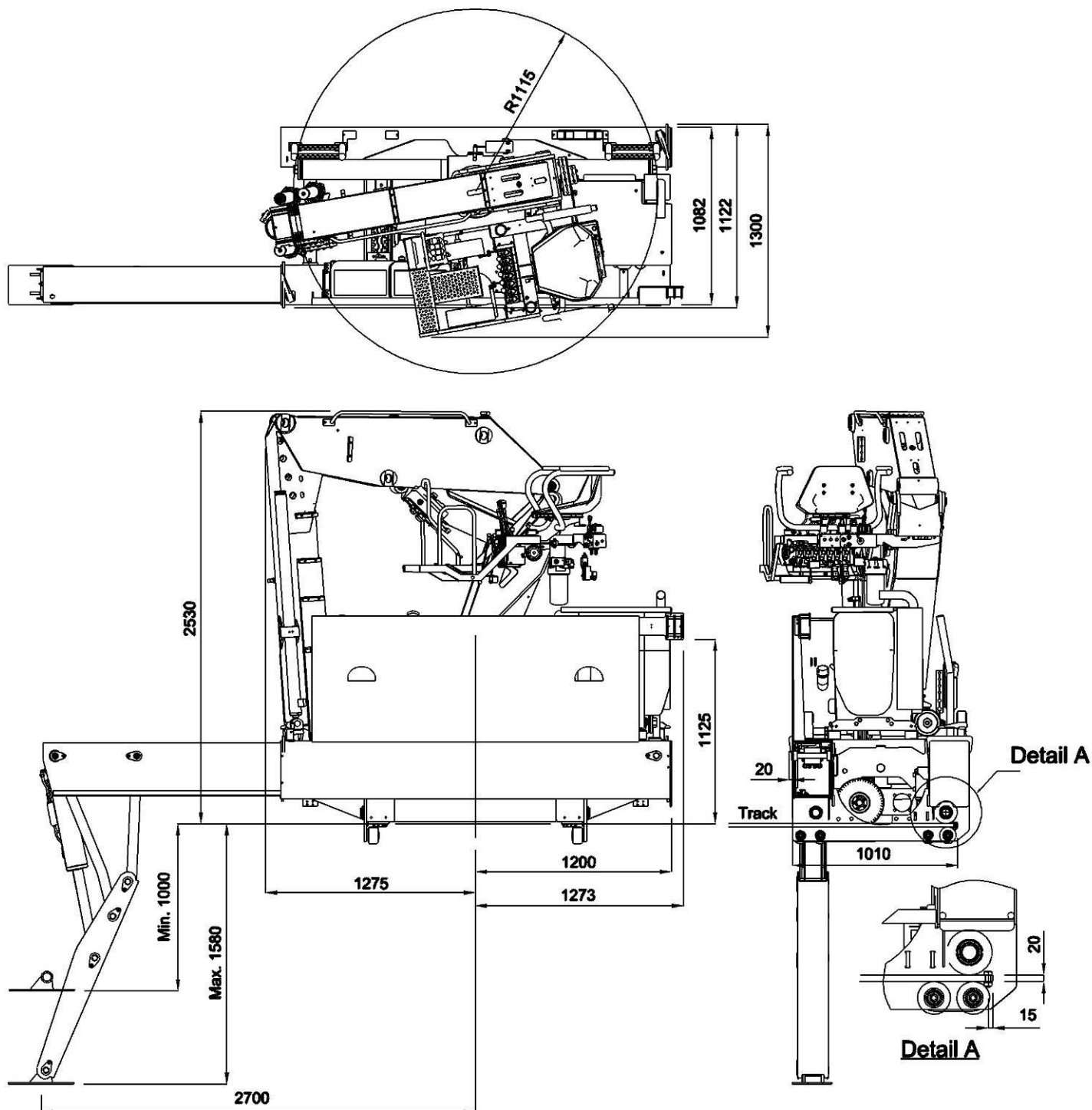
Afmetingen, Dimensions: 16-R / 60-2



# Kennis 16-R

## Technische Specificatie / Technical Specifications

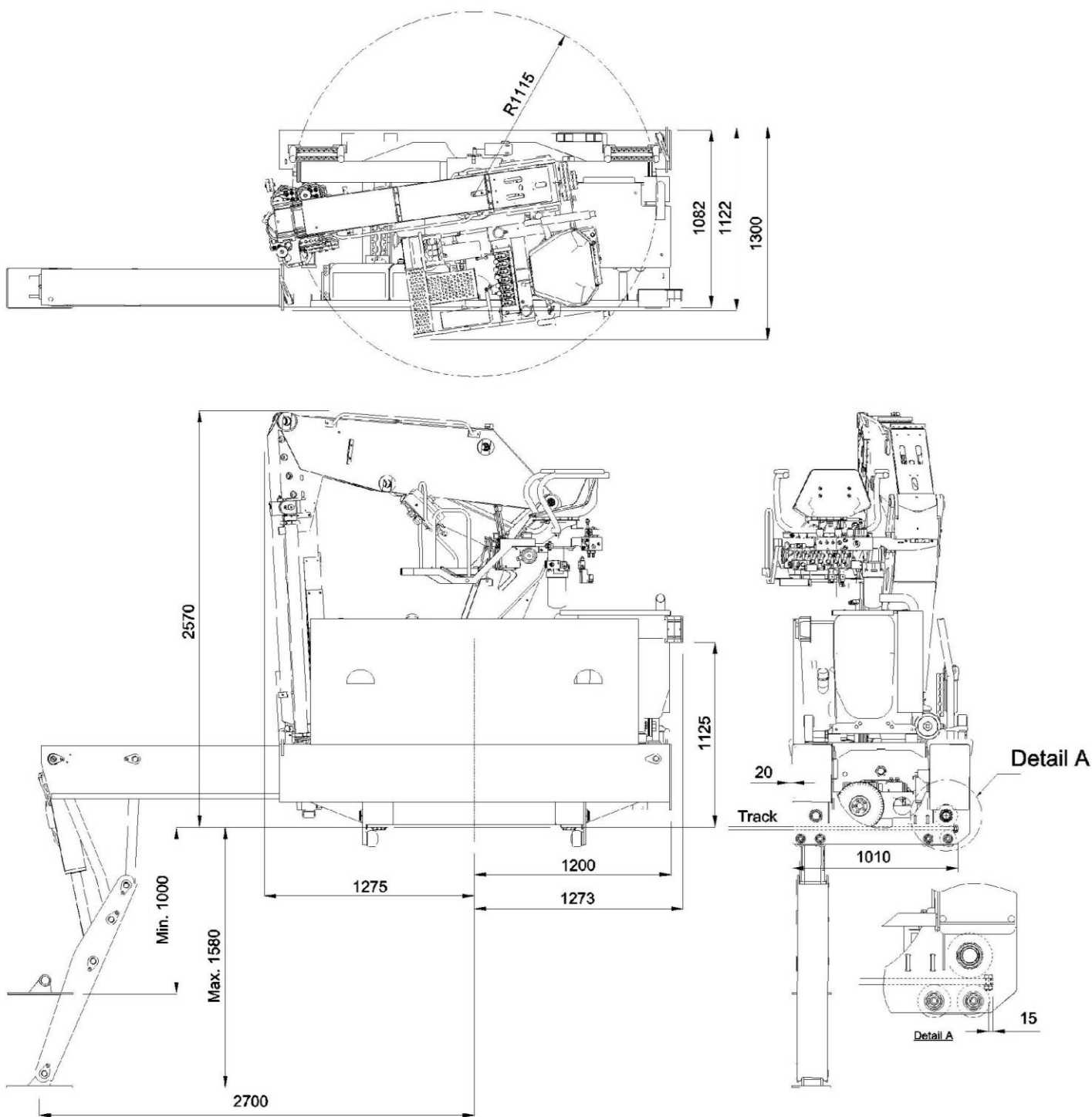
Afmetingen, Dimensions: 16-R / 71-3



# Kennis 16-R

## Technische Specificatie / Technical Specifications

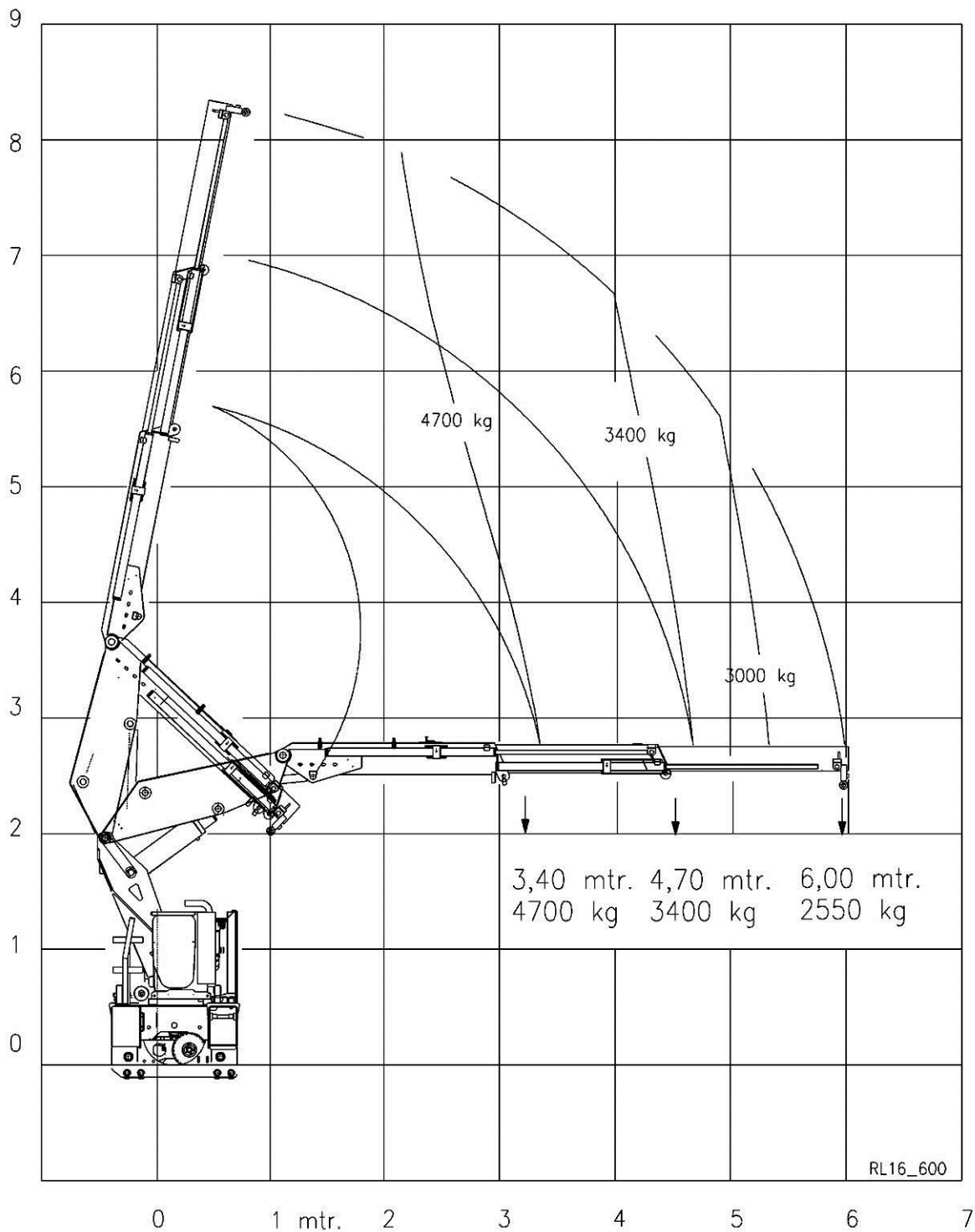
Afmetingen, Dimensions: 16-R / 84-4



# Kennis 16-R

## Technische Specificatie / Technical Specifications

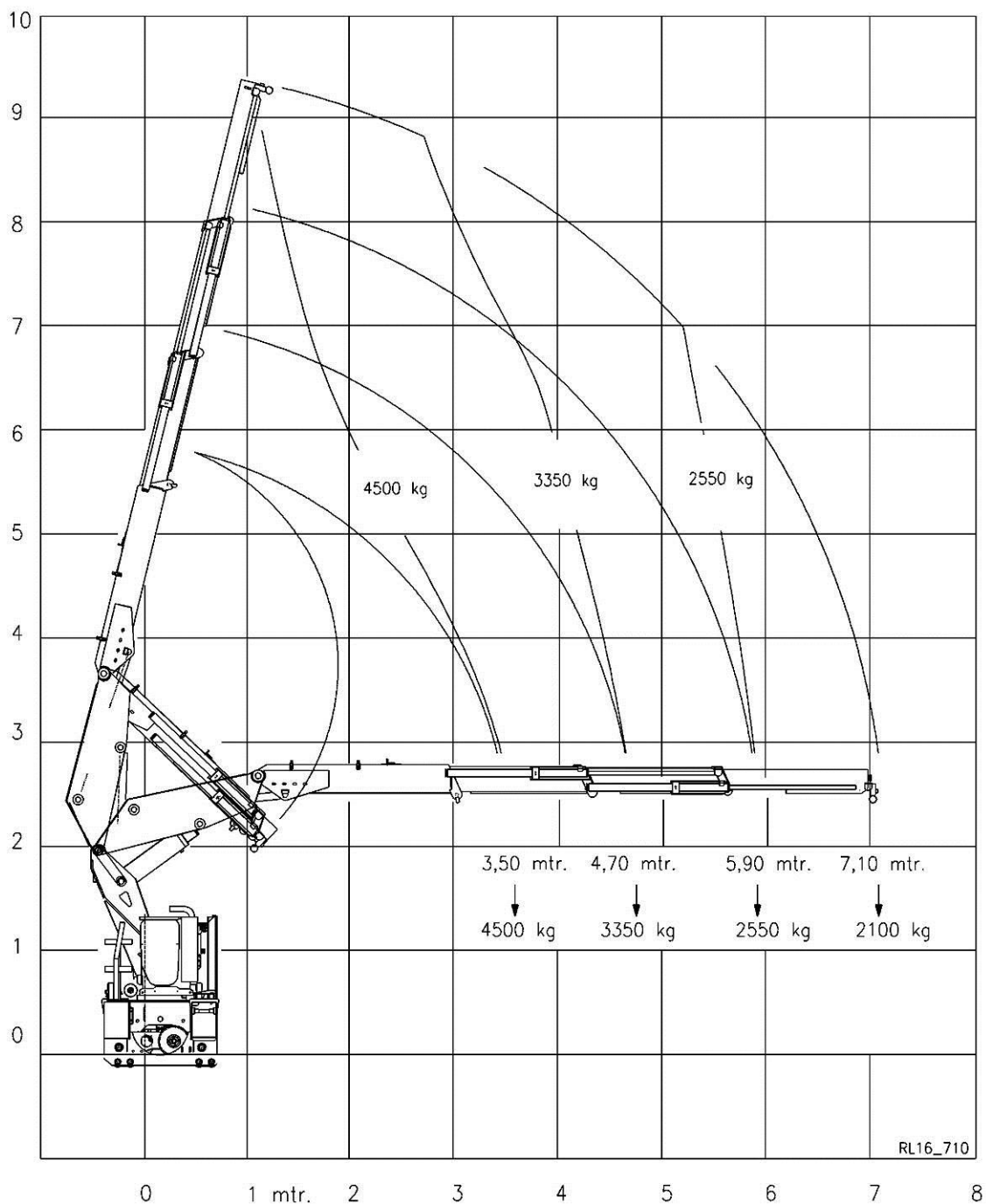
Lastdiagram, Loadiagram: 16-R / 60-2



# Kennis 16-R

## Technische Specificatie / Technical Specifications

Lastdiagram, Loadiagram: 16-R / 71-3

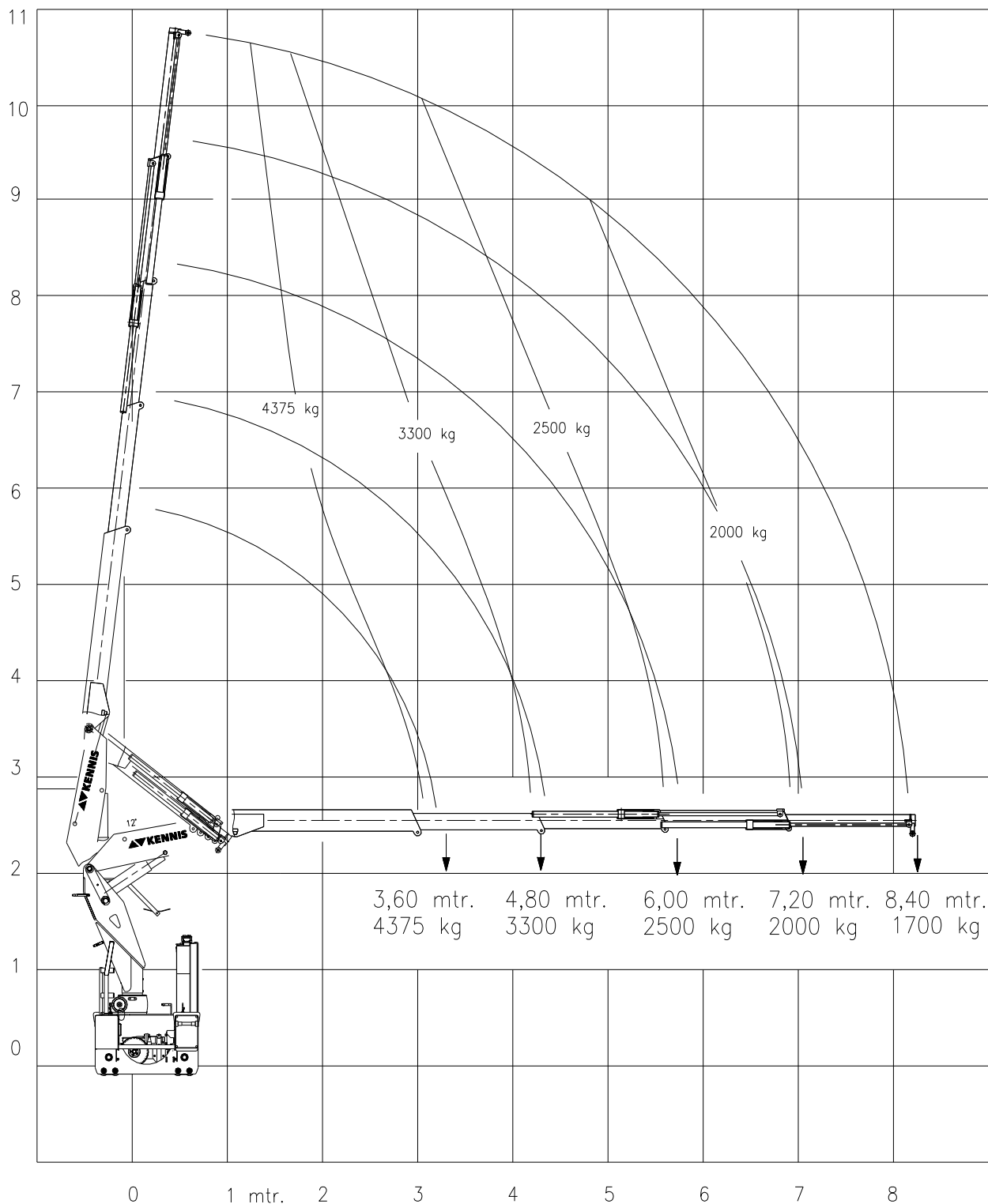




# Kennis 16-R

## Technische Specificatie / Technical Specifications

Lastdiagram, Loadiagram: 16-R / 84-4

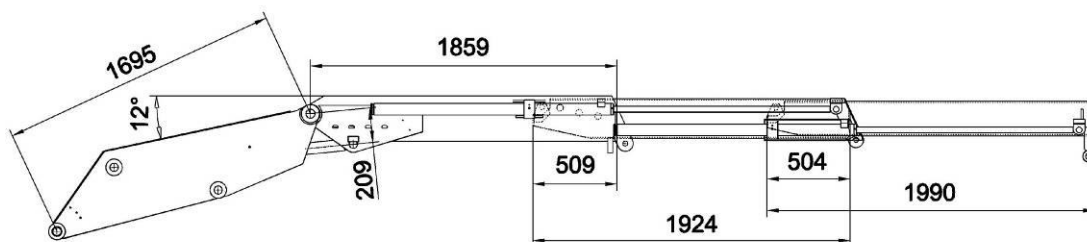


# Kennis 16-R

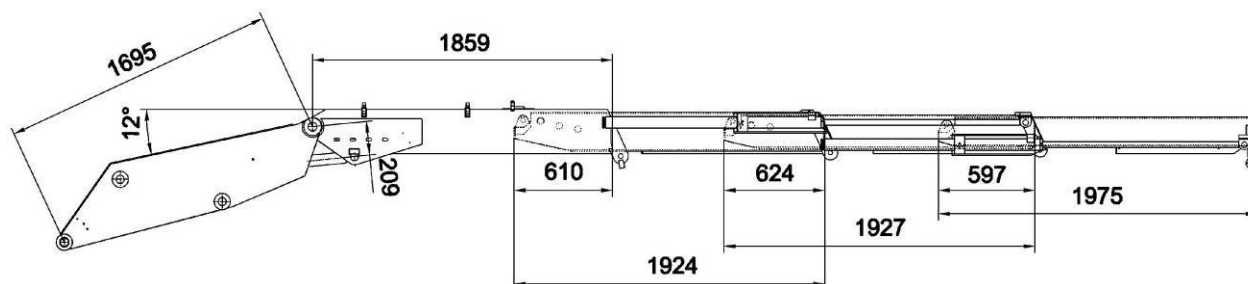
## Technische Specificatie / Technical Specifications

### Giek – afmetingen, Boom - Dimensions

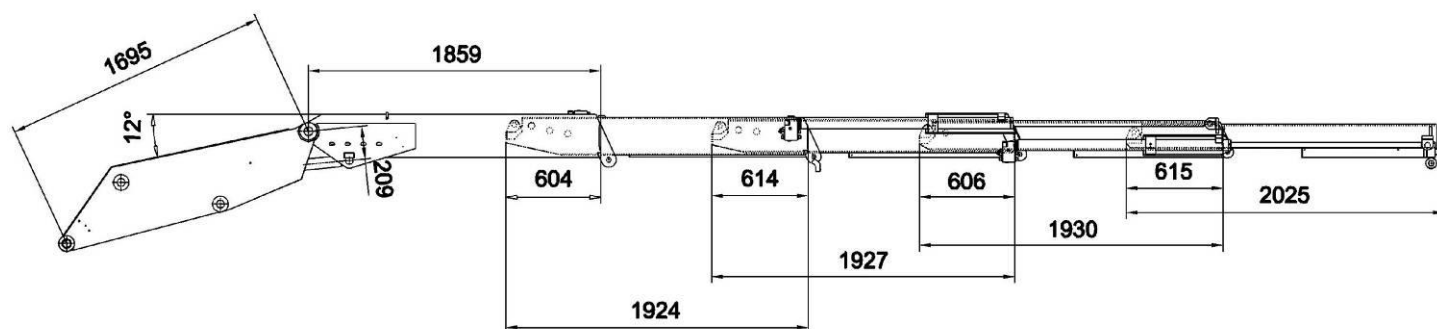
16-R / 60-2



16-R / 71-3



16-R / 84-4

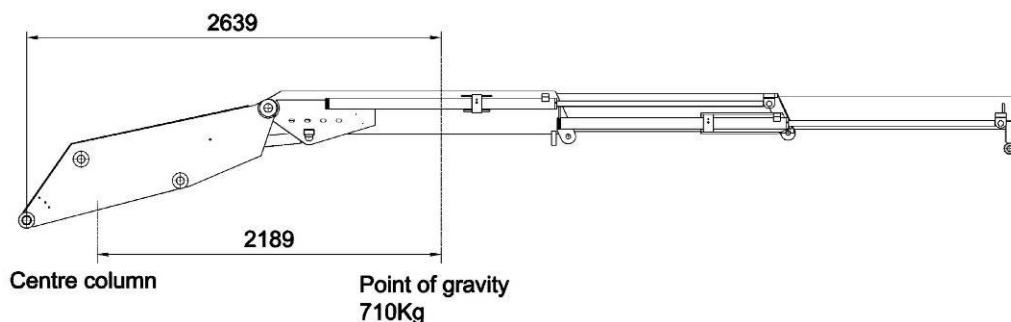


# Kennis 16-R

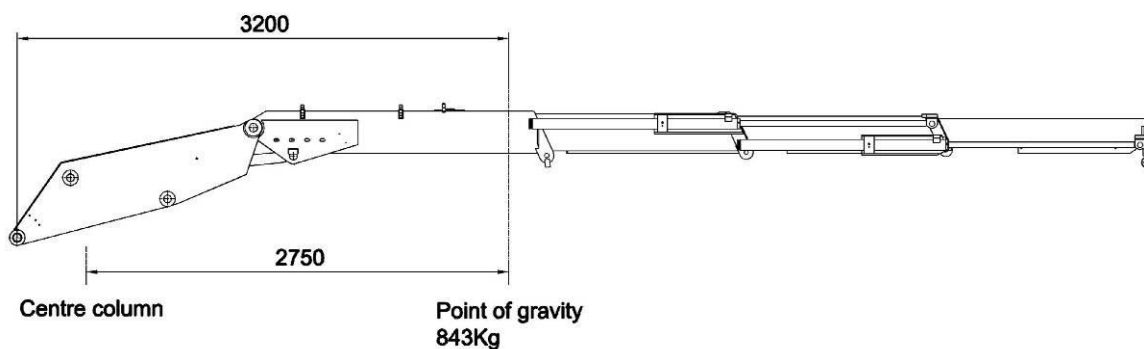
## Technische Specificatie / Technical Specifications

Gewicht – zwaartepunten, Weight – center of gravity

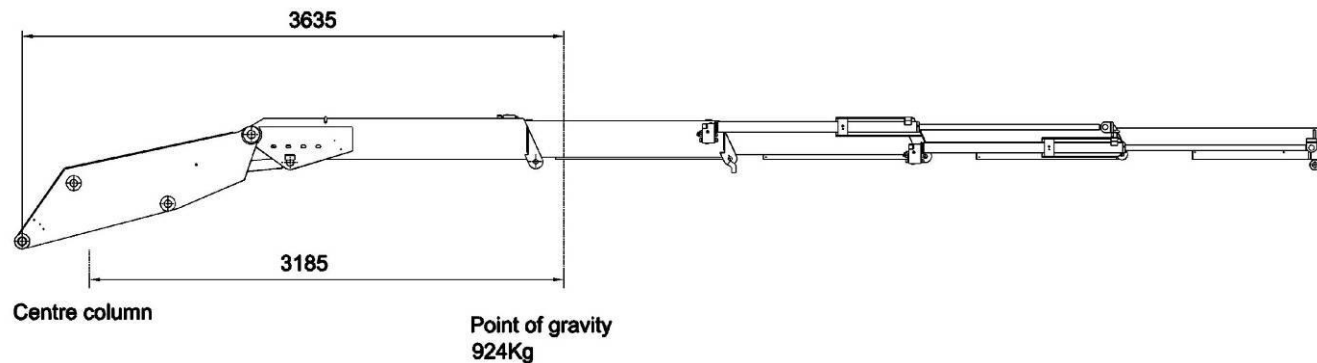
### 16-R / 60-2



### 16-R / 71-3



### 16-R / 84-4



# Kennis 16-R

## Technische Specificatie / Technical Specifications

Cilinders en pen afmetingen, Cylinders and pins dimensions.

### Hef cilinder, Lifting cylinder KE007789

Cylinder bore	160
Cyl. Ext. diameter	190
Rod diameter	140-113
Pitch (open)	1317
Pitch (closed)	790
Stroke	527
Fittings	G1/2"
Artic. Pin Ø	50
Pin steel	42CrMo4V

### Knik cilinder, Articulation Cylinder 50146021

Cylinder bore	140
Cyl. Ext. diameter	165
Rod diameter	70-0
Pitch (open)	1500
Pitch (closed)	950
Stroke	550
Fittings	G1/2"
Artic. Pin Ø	50
Pin steel	42CrMo4V

### Boom 60-2; 71-3 Uitschuif cilinder, Extension cylinders 1-2-3 50140541

Cylinder bore	55
Cyl. Ext. diameter	70
Rod diameter	35-0
Pitch (open)	1423
Pitch (closed)	2610
Stroke	1207
Fittings	G1/2"
Artic. Pin Ø	26
Pin steel	C45

### Zwenk cilinder, Rotation cylinder 50162062

Cylinder bore	110
Cyl. Ext. diameter	125
Rod diameter	-
Pitch (open)	-
Pitch (closed)	-
Stroke (16-R)	865
Stroke (14-R)	769
Fittings	G1/2"
Artic. Pin Ø	-
Pin steel	-

### Boom 84-4 Uitschuif cilinder 1, Extension cylinder 1 -50141541

Cylinder bore	60
Cyl. Ext. diameter	75
Rod diameter	40-0
Pitch (open)	2626
Pitch (closed)	1426
Stroke	1200
Fittings	G1/2"
Artic. Pin Ø	26
Pin steel	C45

### Uitschuif cilinder 2, Extension cylinder 2 -50140540

Cylinder bore	55
Cyl. Ext. diameter	70
Rod diameter	35
Pitch (open)	2630
Pitch (closed)	1423
Stroke (14-R)	1207
Fittings	G1/2"
Artic. Pin Ø	26
Pin steel	C45

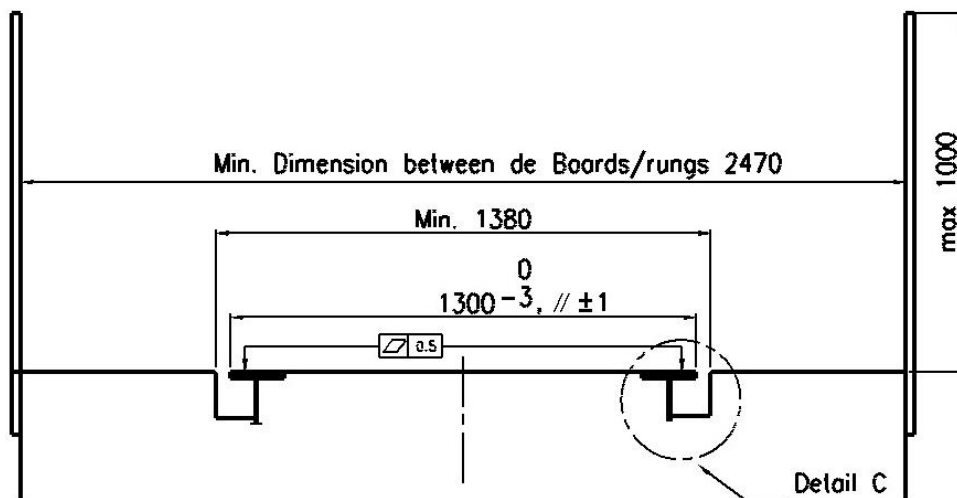
### Uitschuif cilinder, Extension cylinder 3 & 4 50140541

# Kennis 16-R

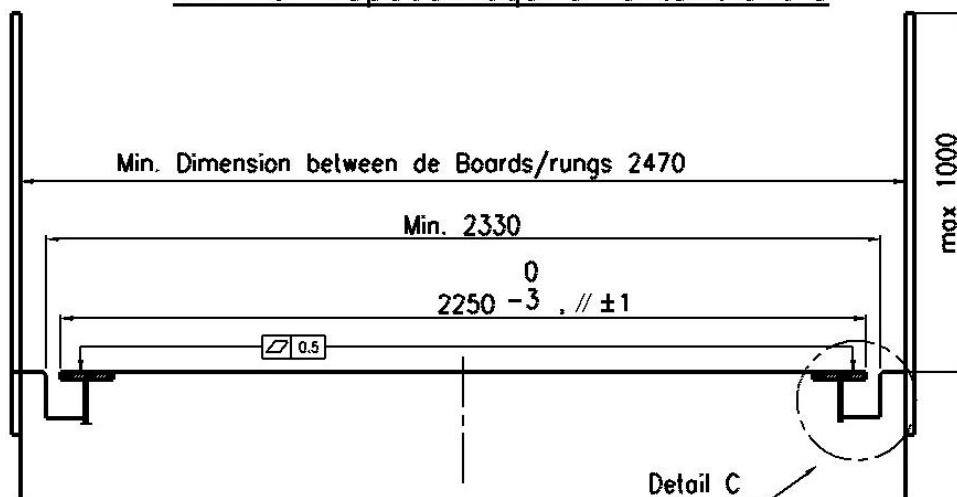
## Technische Specificatie / Technical Specifications

Minimale eisen trailer, minimum requirements trailer,

Deze informatie niet gebruiken voor sterkteberekeningen  
This information is not suitable for strength calculations



Minimum space requirements trailers



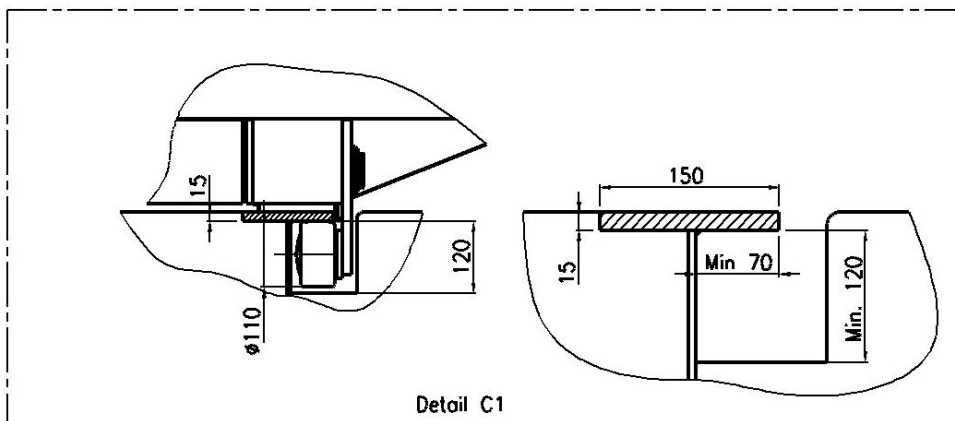
Minimale eisen trailer

# Kennis 16-R

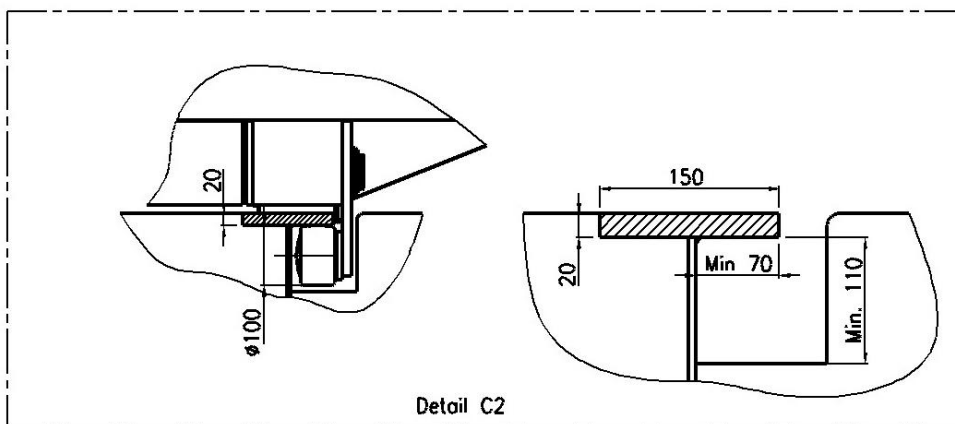
## Technische Specificatie / Technical Specifications

Minimale eisen trailer, Minimum requirements trailer,

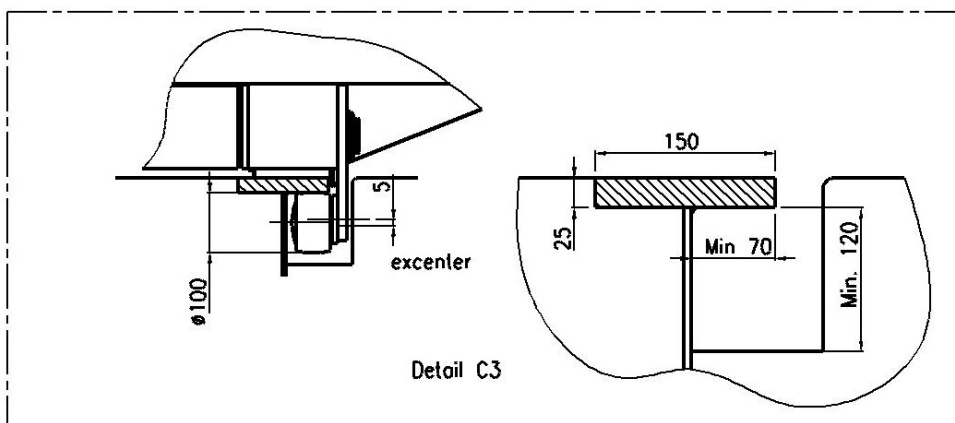
**Deze informatie niet gebruiken voor sterkteberekeningen**  
**This information is not suitable for strength calculations**



Detail C1



Detail C2



Detail C3

# Kennis 16-R

## Technische Specificatie / Technical Specifications

Standaard bedieningsvolgordes, standard control orders.

### STANDARD CONTROL ORDER LEVERS.

- A: Main boom down
- B: Main boom up
- C: Outer boom down
- D: Outer boom up
- E: Crane slewing right
- F: Crane slewing left
- G: Driving forward
- H: Driving backwards
- I: Clamp open
- J: Clamp close

The small lever is always associated with clamp function

**KENNIS**

Norm: 10-08-01 eng \ rev-

### STANDARD CONTROL ORDER COMFORT.

- A: Main boom down
- B: Main boom up
- C: Outer boom down
- D: Outer boom up
- E: Crane slewing right
- F: Crane slewing left
- G: Driving forward
- H: Driving backwards
- I: Clamp open
- J: Clamp close

The small lever is always associated with clamp function

**KENNIS**

Norm: 10-07-01 eng \ rev-

# Kennis 16-R

## Technische Specificatie / Technical Specifications

Standaard bedieningsvolgordes, standard control orders.

### STANDARD CONTROL ORDER JOYSTICKS.

Driving forward  
Driving backwards

C A  
B D

1  
2

Front side

- A: Outer boom down
- B: Outer boom up
- C: Crane slewing left
- D: Crane slewing right
- E: Main boom down
- F: Main boom up
- G: Rotator slewing left
- H: Rotator slewing right

Extend boom  
Clamp open  
Retract boom  
Clamp close

G E  
F H

**KENNIS**

Norm: 10-06-01 eng\rev-

### STANDARD CONTROL ORDER JOYSTICKS.

Because of safety considerations the joysticks are so connected, that if button 1 in the left joystick not is restrained, the clamp switch 2 en 3 in the right joystick is inoperative.

Driving forward  
Driving backwards

H E  
F G

1  
2

Front side

- A: Main boom down
- B: Main boom up
- C: Rotator slewing right
- D: Rotator slewing left
- E: Outer boom up
- F: Outer boom down
- G: Crane slewing right
- H: Crane slewing left

Extended boom  
Retract boom

D A  
B C

Clamp close 2 3 Clamp open

**KENNIS**

Norm: 10-05-01 eng\rev-













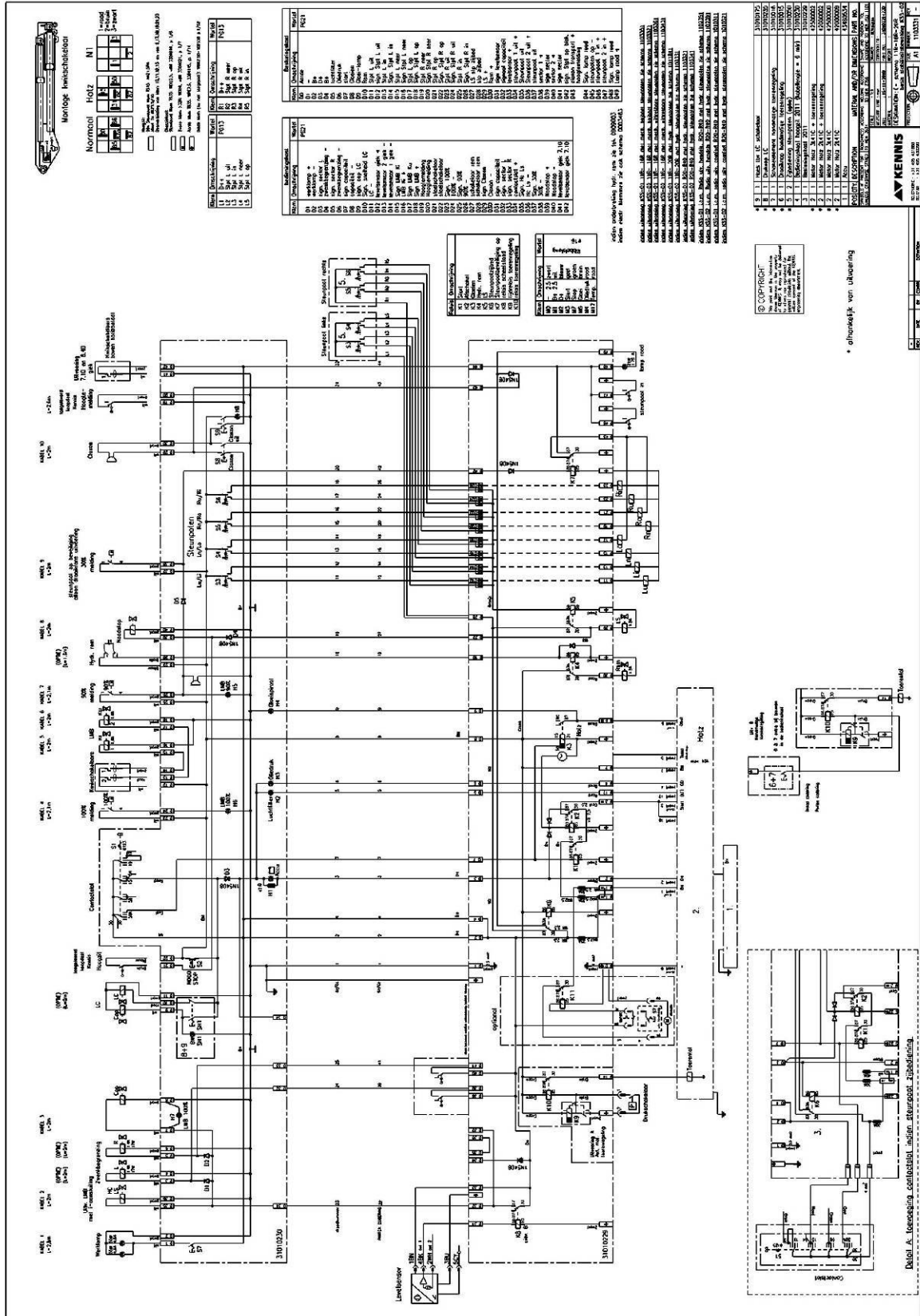




# Kennis 16-R

## Technische Specificatie / Technical Specifications

Electrisch schema, Electrical scheme 1103331: KSS-02.  
 Hydraulische steunpoten, hydraulic stabilizer





# Kennis 16-R

## Technische Specificatie / Technical Specifications

### Opmerking, remark

### Bemerkung, remarque:

Maximale hefcapaciteit met de hoofdgiek onder een hoek van 12°.  
Maximum liftingcapacity with main boom up to 12°.

Hijsgereedschappen maken deel uit van de last.  
Lifting equipment are part of the load.

De truck, trekker en oplegger stabiliteit kunnen de kraancapaciteit beïnvloeden.  
Truck, tractor and trailer stability may command derating the cranecapacity.

De plaatjes en afmetingen in dit dokument zijn een indicatie en kunnen afwijken van de werkelijkheid.  
The pictures en measurements in this document are a indication and therefore can be different from the reality.

Hyva Holding B.V. behoudt zich het recht voor zonder voorafgaande aankondiging de in deze technische instructie vermelde gegevens te wijzigen.

Alle rechten voorbehouden. Nadruk, ook in gedeelten, verboden.

Information in this document is subject to change without notice and does not represent a commitment on the part of Hyva Holding B.V..  
All rights reserved. Unauthorised duplication, even partially, is forbidden.