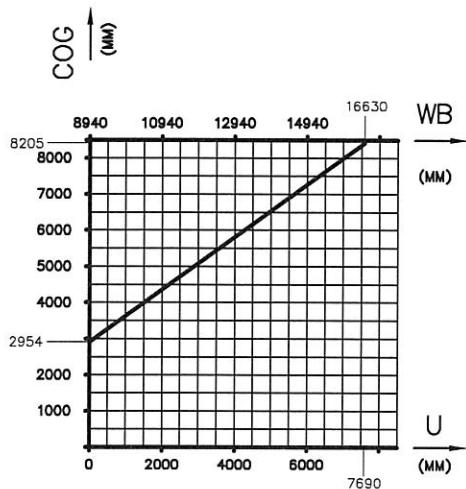
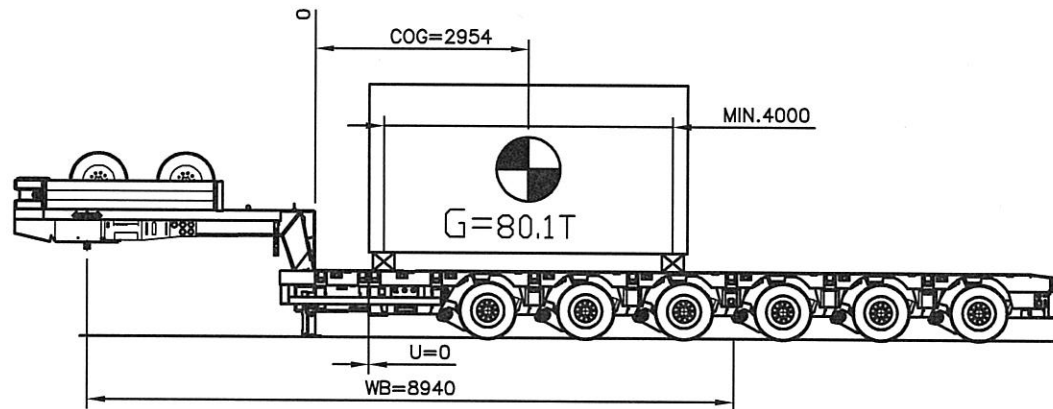
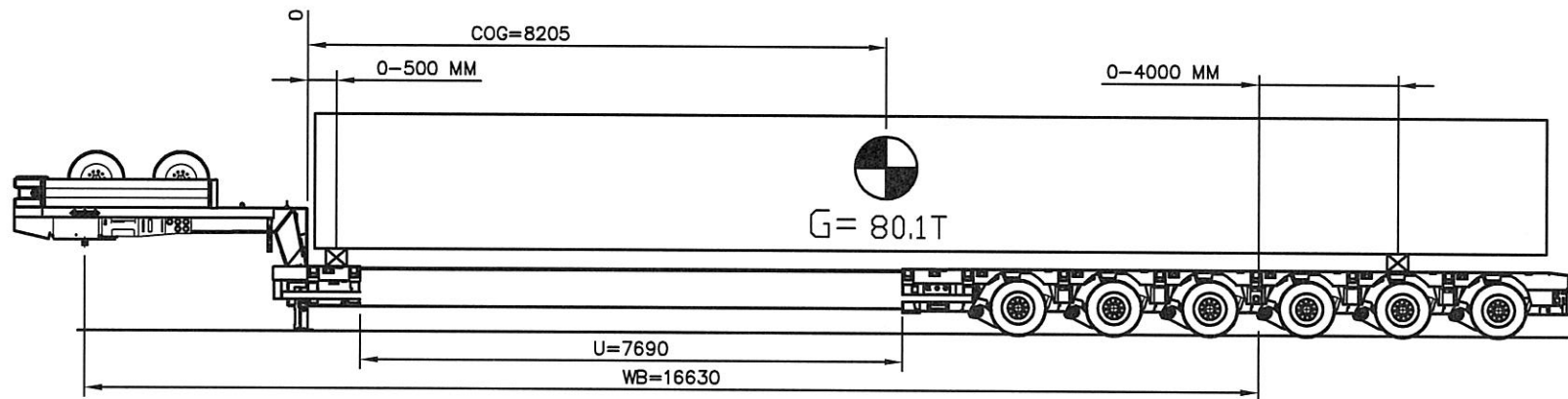


ALL RIGHTS RESERVED REPRODUCTION OR DISCLOSURE TO THIRD PARTIES OF THIS DOCUMENT OR ANY PART THEREOF IS NOT PERMITTED, EXCEPT WITH THE PRIOR AND EXPRESS WRITTEN PERMISSION OF ROYAL NOOTEBOOM TRAILERS B.V. WIJCHEN, HOLLAND.		TOLERANTIE Wanneer geen tolerantie aangegeven geldt ± 1mm	
DATUM	21/07/17	MPL-102-06(V) C016176 (01), Haegens Kraanverhuur B.V.	
GET.	CHEU		
GEC.			
		OPMERKING	ACUUT VAN
		WIJCHEN HOLLAND	TEK.LIJST
		SCHAAL	1:50
		FORMAAT A3	
		TEK.NR: 5586327	
WIJZIGING		PAR.	DATUM
		WIJZ.LTR	



TOTAL LOAD FRONT	= 30 T	TOTAL AXLE LOAD REAR 6 x 12.0	= 72 T
DEAD WEIGHT FRONT	= 4.6 T	DEAD WEIGHT REAR	= 17.3 T
PAYLOAD FRONT: V	= 25.4 T	PAYLOAD REAR	A = 54.7 T

<small>ALL RIGHTS RESERVED REPRODUCTION OR DISCLOSURE TO THIRD PARTIES OF THIS DOCUMENT OR ANY PART THEREOF IS NOT PERMITTED, EXCEPT WITH THE PRIOR AND EXPRESS WRITTEN PERMISSION OF ROYAL NOOTEBOOM TRAILERS B.V. WIJCHEN, HOLLAND.</small>		TOLERANTIE Wanneer geen tolerantie aangegeven geldt ± 1mm	
DATUM	26/10/17	BELADINGSADVIES CO16176, MPL-102-06(V), XMRMCO000H0000727, 80KM/H	PROJEKTIE
GET.	MASC		
GEC.			
 WIJCHEN HOLLAND	OPMERKING	ACJUT VAN	5599779
		TEK.LIJST	
		SCHAAL	1:50
		FORMAAT	A2
		TEK.NR.	5608430